



SOMOPLAST

LEADER IN PLASTIC TECHNOLOGY

PLASTIC ROTO MOULDED STORAGE TANKS

ISO 9001
BUREAU VERITAS
Certification



008

CATALOG 2016 V.2

01

MODEL
TC

CYLINDRICAL TANK



available in 1.2.3. layers
متوفر بطبقة طبقتين وثلاث طبقات

CAPACITY

	A	B	C
100	50	70	35
300	80	75	35
500	90	90	35
1000	120	110	35
1000	95	165	35
1500	130	140	35
2000	140	145	35
3000	160	160	40
4000	180	180	35
5000	190	195	35
6000	220	175	35
8000	240	195	35
10000	220	285	45

02

MODEL
TCYCYLINDRICAL
UFO TANK

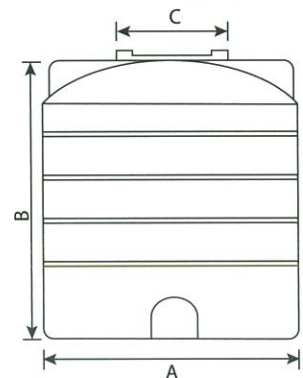
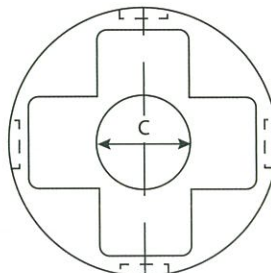
متوفر بطبقة وطبقتين
available in 1.2. layers

CAPACITY

	A	B	C
60	25	40	15
300	60	100	35
500	75	120	35
1000	100	130	35
1500	100	190	35
2000	130	160	35
3000	140	190	35

SPECIAL FEATURES

- Excellent stress cracking resistance
- Excellent chemical resistance
- Excellent impact resistance
- Excellent abrasion resistance
- Excellent rigidity
- Excellent ultraviolet light stability
- Weldable
- Recyclable



03

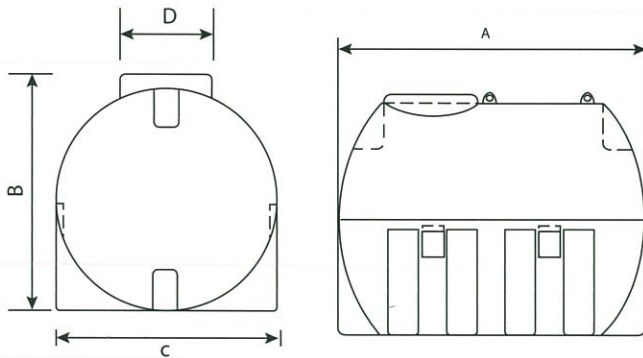
MODEL
THT

HORIZONTAL TANK

CAPACITY	A	B	C	D
300	100	50	65	35
400	125	65	65	20
500	100	80	80	35
500 coffin	125	60	65	35
1000	140	100	95	35
2000	165	135	125	35
3000	215	155	145	35



available in 1.2.3. layers
متوفر بطبقة طبقتين وثلاث طبقات



Applications for all tanks

Drinking water
Fuel
Acid & caustic storage
Plant liquid
Food & Aliments



LOCK FOR TANKS

Now you can easily and safely lock your tank, with our state of the art system.



REGISTERED UNDER
PATENT N: 4257

04

MISCELLANEOUS

a FINO

CAPACITY		A	B	C	D
1000		170	130	80	35
2000		260	150	80	35



b available in 1.2.3. layers متوفر بطبقة طبقتين وثلاث طبقات

DESCRIPTION	A	B	C
PALLET	120	100	10

c

DESCRIPTION	A	B	C
BIN 120 L	90	45	45
BIN 240 L	100	65	55



d

DESCRIPTION	A	B	C
Divider	140	80	50

05

MODEL
THT

MODULAR TANK

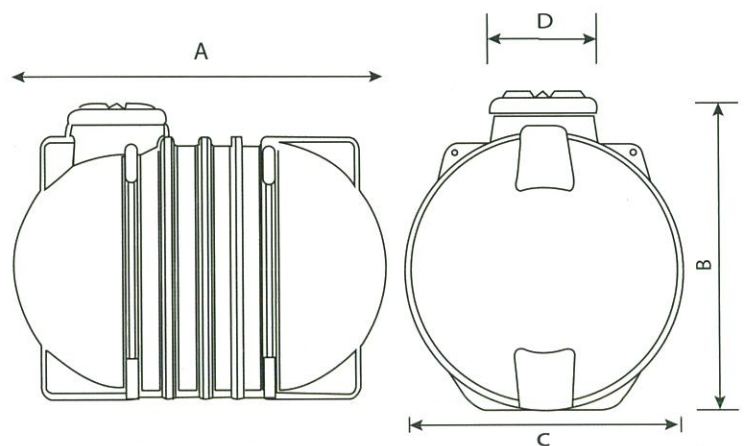


CAPACITY

	A	B	C	D
3600	165	200	190	65
4000	170	200	190	65
5500	275	200	190	65
11500	500	200	190	65

Modular tanks are immersible and connectable to reach hundreds of thousands of liters

امكانية توصيل الخزانات ببعضها البعض و طمرها تحت الأرض



PLASTIC ROTO MOULDED STORAGE TANKS

SOMOPLAST plastic tanks, are made of high quality Polyethylene. With our state of the art, European machines, we were able to produce tanks up to 3 layers, with sizes going from 60 liters to hundreds of thousands of liters (MODULAR TANKS). Ultraviolet light stabilizers are added for use in outdoor applications (special colors are available upon request). Our tanks have outstanding resistance to both physical and chemical problems. The Polyethylene tanks have superior mechanical properties, high stiffness, excellent low temperature impact strength and environmental stresscrack resistance. The **virgin raw material** used meets specifications required by the FDA, making **SOMOPLAST tanks 100% food approved**. SOMOPLAST plastic tanks are under warranty.

Industrial City. Zahleh
Bekaa . Lebanon
T. +961 8 930 720
F.+961 8 93 07 26
E. info@somoplast.com
W.www.somoplast.com

